

THIS DRAWING IS UNPUBLISHED. RELEASED FOR PUBLICATION MARCH, 2006.

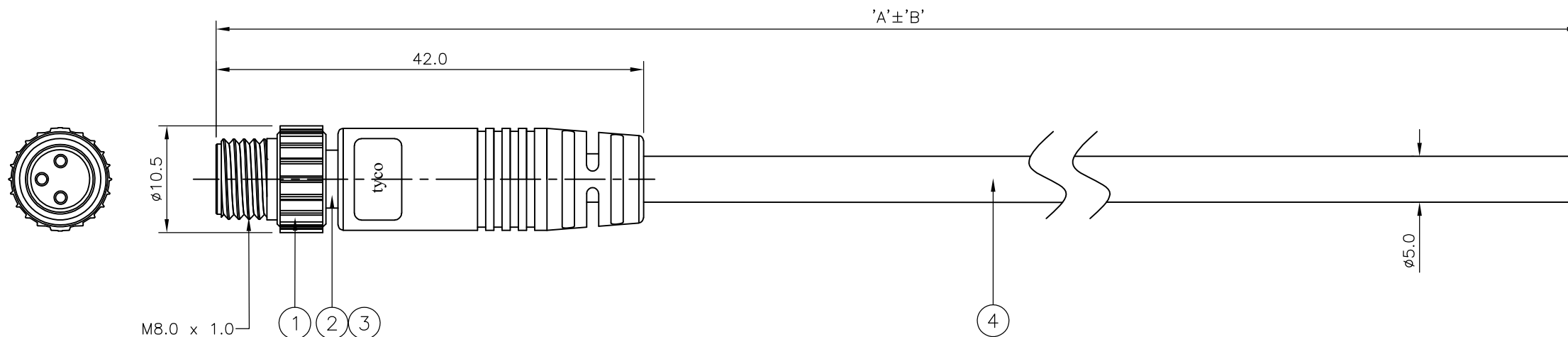
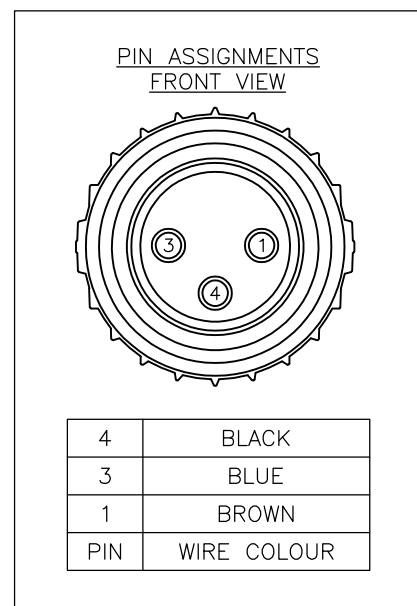
© COPYRIGHT 2006 BY TYCO ELECTRONICS CORPORATION. ALL RIGHTS RESERVED.

| | | | | | | | |
|-----|------|-----------|-----|---------------|----------|-----|------|
| LOC | DIST | REVISIONS | | | | | |
| E | B | P | LTR | DESCRIPTION | DATE | DWN | APVD |
| | | C | | ECR-07-010734 | 08/05/07 | AM | FWK |

NOTES:

- ELECTRICAL DATA: CONTACT RESISTANCE: 10 mOhm MAX
INSULATION RESISTANCE: 100 MOhm MIN at 500VDC
CURRENT RATING: 5 AMPS
BREAKDOWN VOLTAGE: 500 VAC MIN PER MINUTE
- ENVIRONMENTAL: OPERATING TEMPERATURE: -20°C TO +80°C
SEALING REQUIREMENTS: IP67
- PROD SPEC: 108-3641
- PACKAGING: 107-3334
- FOR TECHNICAL DATA REFER TO YOUR LOCAL TYCO ELECTRONICS SALES OFFICE
- ALL DIMENSIONS ARE NOMINAL FOR REFERENCE ONLY UNLESS OTHERWISE STATED

| ITEM | DESCRIPTION | MATERIAL | FINISH/COLOUR | QTY |
|------|--------------------------------------|-------------------------|-------------------------|-----|
| 1 | SCREW NUT | ZINC DIE CAST | 2.5µm NICKEL PLATED | 1 |
| 2 | CONNECTOR BODY | POLYURETHANE | BLACK | 1 |
| 3 | PIN CONTACT | BRASS | 0.15µm GOLD OVER NICKEL | 3 |
| 4 | 3 CORE CABLE (CORES 22AWG TO UL2464) | PVC JACKET UV RESISTANT | BLACK | 1 |



| | | | |
|-------|---------|--|-------------|
| 10000 | 500 mm | M8 STRAIGHT MALE CONNECTOR 10.0m CABLE | 1838286-5 |
| 7000 | 350 mm | M8 STRAIGHT MALE CONNECTOR 7.0m CABLE | 1838286-4 |
| 5000 | 250 mm | M8 STRAIGHT MALE CONNECTOR 5.0m CABLE | 1838286-3 |
| 3000 | 150 mm | M8 STRAIGHT MALE CONNECTOR 3.0m CABLE | 1838286-2 |
| 2000 | 100 mm | M8 STRAIGHT MALE CONNECTOR 2.0m CABLE | 1838286-1 |
| DIM A | TOL 'B' | DESCRIPTION | PART NUMBER |

| | | | | |
|--|--|-----------------------------------|---|--------------|
| THIS DRAWING IS A CONTROLLED DOCUMENT. | | DWN MANJUNATH.T.N 29MAR06 | tyco Tyco Electronics Corporation | |
| DIMENSIONS: mm | | CHK F.WHEELER-KING 07AUG06 | Electronics Bideford, UK, EX39 4HE | |
| TOLERANCES UNLESS OTHERWISE SPECIFIED: | | APVD F.WHEELER-KING 07AUG06 | NAME M8 STRAIGHT MALE CONNECTOR WITH STRAIN RELIEF 3 POSITION, PVC CABLE | |
| 0 PLC ± - | | PRODUCT SPEC | SIZE | |
| 1 PLC ± - | | APPLICATION SPEC | CAGE CODE | |
| 2 PLC ± - | | WEIGHT | DRAWING NO | |
| 3 PLC ± - | | | RESTRICTED TO | |
| 4 PLC ± - | | | A3 00779 C-1838286 | |
| ANGLES ± - | | | SCALE NTS | |
| FINISH | | CUSTOMER DRAWING | | SHEET 1 OF 1 |
| | | | | REV C |